

Dual-spectrum Dome Camera

PD225T



Product Features

- Clearer and farther image with the latest 12μm infrared detector and leading algorithm.
- Visual and thermal dual-spectrum imaging for 24/7 safety surveillance.
- Support intelligent behavior analysis such as dual-spectrum region intrusion and tripwire intrusion, support AI human-vehicle classification.
- Support professional temperature measurement analysis tools and intelligent fire detection algorithm.
- Support multi-event linkage alarm and audible-visible alarm.
- Support intelligent scene configuration, support multiple scanning mode and target tracking.
- Support DC12V or PoE.
- Support standard ONVIF protocols, SDK and accompanying NVR and software are available.

Product Specifications

Technical Index		Dual-spectrum Dome Camera	
Thermal	Sensor Type	VOx, uncooled FPA	
	Spectral Range	8~14μm	
	NETD	≤40mK(@25°C,F#1.0,25Hz)	
	Resolution	256×192	
	Pixel Pitch	12μm	
	Lens Focal Length	7mm	10mm
	Focus Mode	Athermalized fixed focus	
	FOV	24.8°×18.7°	17.5°×11.3°
	F#	1.0	
	Spatial Resolution	1.7mrad	1.2mrad
	Color Palettes	20 modes available such as Whitehot/Blackhot/Rainbow.	
Visible	Sensor	5MP 1/2.8" Progressive Scan CMOS	
	Resolution	2560×1920	
	Lens Focal Length	5.4~108mm	
	Focus Mode	Auto/Semi-auto/Manual	
	FOV	43.5°×34.5°~4.7°×3.6°	
	Day/Night	ICR Auto / Digital color to B/W	
	IR Illuminator	Max. supplement light range:50m	
PT	Pan Range	360° continuous rotation	
	Pan Speed	0.1°~120°/s	
	Tilt Range	0°~90°	
	Tilt Speed	0.1°~60°/s	
	Presets	255	
	Scan Mode	Preset/Tour/Pattern Scan/ Linear Scan/Area Scan	
Network	Protocols	IPv4,HTTP,HTTPS,FTP,SMTP,UPnP,DNS,DDNS,NT P,RTSP,RTCP,RTP,TCP,UDP,IGMP,ICMP,DHCP	
	Interoperability	ONVIF, SDK	
	Simultaneous Live View	Max. 8	
	User Management	Up to 32 users, divided into 3 levels: administrator, operator and ordinary user	
	Browser	Support browsers such as Chrome, Mozilla Firefox, Edge, etc,	
Video	Max. Resolution	2560×1920 (visible), 1280×960 (Thermal)	
	Image Encoding Format	JPEG	

Technical Index		Dual-spectrum Dome Camera
	Audio Compression	G.711a/G .711u/AAC/PCM
	Video Compression	H.264/H.265
	Main Stream	Visible: 50Hz:25fps (2560×1920,2560×1440,1920×1080) 60Hz:30fps(2560×1920,2560×1440,1920×1080) Thermal: 50Hz:25fps(1280×960,1024×768) 60Hz:30fps(1280×960,1024×768)
	Sub Stream	Visible: 50Hz:25fps(1920×1080,1280×720,704×576,352×288) 60Hz:30fps(1920×1080,1280×720,704×480,352×240) Thermal: 50Hz:25fps(640×480,320×288) 60Hz:30fps(640×480,320×240)
Temperature Measurement Function	Temperature Measurement Range	-20℃~+550℃
	Temperature Measurement Accuracy	±2℃ or ±2%, the larger value shall prevail
	Temperature Measurement Analysis	Support temperature measurement tools such as full frame/ point/ line/ region and linkage alarm
Smart Function	Fire Alert	Support fire detection
	Smart Recording	Alarm trigger recording, disconnection trigger recording
	Malfunction Detection	Support alarm trigger of network disconnection, IP address conflict, SD card error, illegal access, burning alert and abnormal detection
	Smart Detecting	Support smart event analysis such as human-vehicle classification, tripwire intrusion, region intrusion
	Voice Talkback	Support two-way voice talkback
	Alarm Linkage	Video recording/Snapshot/alarm output/ sending Email/ PTZ linkage/Audible and visual alarm
System Interface	Power Supply	DC 12V±25% / PoE(802.3af/at)
	Communication	1 RJ45 self-adaptive 10M / 100M Ethernet port
	Audio	1-channel audio input, 1-channel audio output, 1-channel built-in Speaker
	Alarm Interface	2-channel alarm input, 2-channel alarm output
	Memory	Support Micro SD card (maximum 256G)
	Reset Button	Support

Technical Index		Dual-spectrum Dome Camera
General	Communication	1-channel RS485
	Operating Conditions	-40℃~+70℃; <95%RH
	Ingress Protection	IP66
	Power Consumption	Max.20W
	Dimension(mm)	265×147.5×248.7
	Weight	2480g

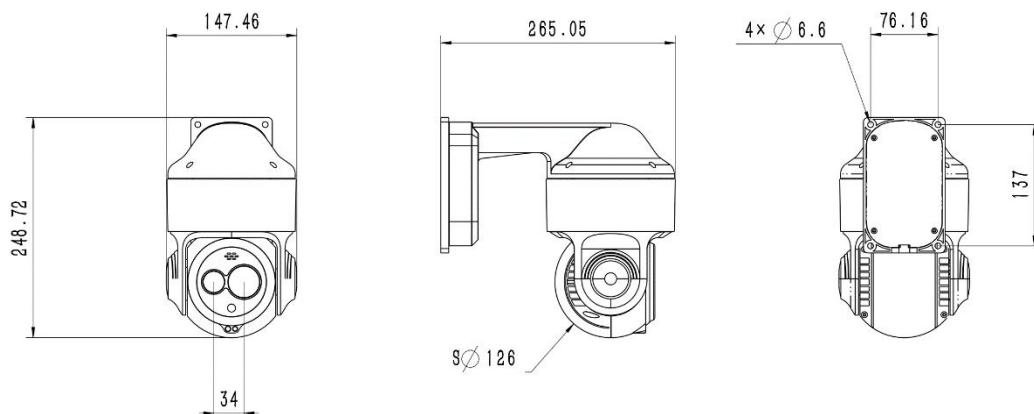
Effective Range

The recommended distance of detection, recognition and identification for human (1.8×0.5m) and vehicle (1.4×4.0m) are as follows:

- DD stands for Detection Distance;
- RD stands for Recognition Distance;
- ID stands for Identification Distance;

Lens	DD (Vehicle)	DD (Human)	RD (Vehicle)	RD (Human)	ID (Vehicle)	ID (Human)
7mm	894m	292m	224m	73m	112m	36m
10mm	1278m	417m	319m	104m	160m	52m

Structural Drawings



This datasheet is subject to change without prior notice. Please contact us to get the latest datasheet.